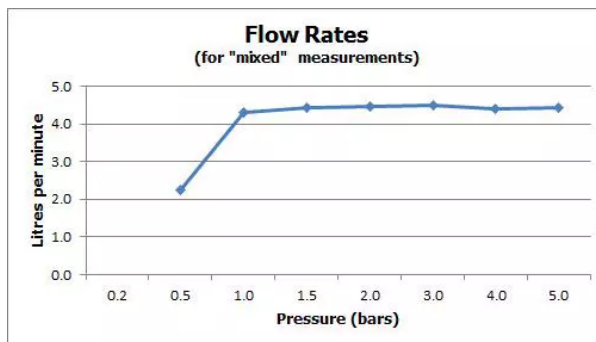


SPECIFICATION SHEET

COLLECTION: I-TECH

PRODUCT CODE: IND-IRWSPOUT-BLK



The flow rate displayed is calculated using ideal system conditions. This result should only be taken as an indication as the flow rate may vary depending on the specific in-situ configuration.

TAP TYPE

Infra-red

PLUMBING SYSTEM SUITABILITY

Pumped System, Combination Boiler, Pressurised System

MOUNTING

Deck Mounted

WITH WATER FLOW AERATOR

No

NOTES

Mains or battery operated
Takes standard AA batteries
Pair with the PRO-5001 for temperature control

COLLECTION NAME

I-Tech

FINISH

Brushed Black

RECOMMENDED FLOW REGULATOR

4 l/m flow regulator fitted as standard

MINIMUM OPERATING PRESSURE

1.0 Bar MP

tel: 01934 744466
email: sales@vado.com
www.vado.com

WHERE INSPIRATION FLOWS
TAPS | SHOWERS | ACCESSORIES



SPECIFICATION SHEET

COLLECTION: I-TECH

PRODUCT CODE: IND-IRWSPOUT-BLK

MAXIMUM OPERATING PRESSURE

5.0 Bar HP

GUARANTEE

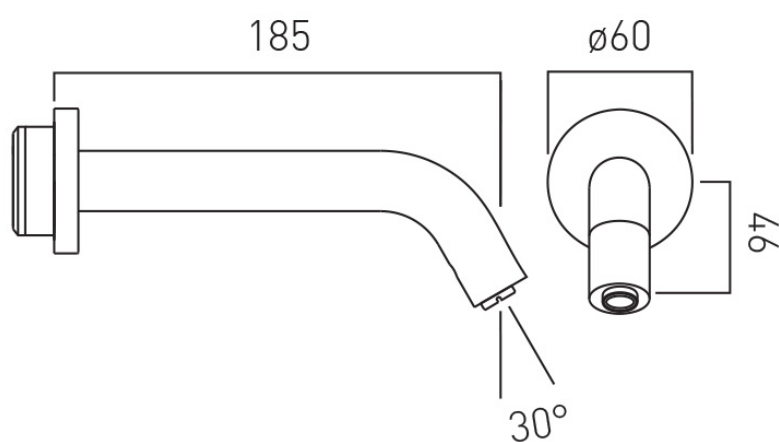
5 Year Guarantee



TECHNICAL DRAWING

COLLECTION: I-TECH

PRODUCT CODE: IND-IRWSPOUT-BLK



tel: 01934 744466
email: sales@vado.com
www.vado.com

WHERE INSPIRATION FLOWS
TAPS | SHOWERS | ACCESSORIES

