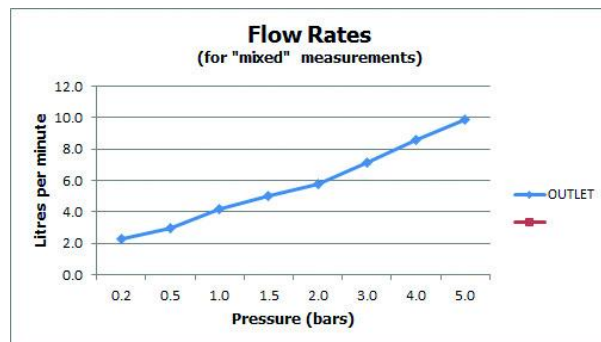


SPECIFICATION SHEET

COLLECTION: ZOO

PRODUCT CODE: ZOO-100M/CC-C/P



The flow rate displayed is calculated using ideal system conditions. This result should only be taken as an indication as the flow rate may vary depending on the specific in-situ configuration.

TAP TYPE

Basin Mixer

FINISH

Chrome

COLLECTION NAME

Zoo

GUARANTEE

15 Year Guarantee

PLUMBING SYSTEM SUITABILITY

Gravity System, Pumped System, Combination Boiler, Pressurised System

MINIMUM OPERATING PRESSURE

0.5 Bar LP

MAXIMUM OPERATING PRESSURE

5.0 Bar HP

HANDLES

Single Lever

MOUNTING

Deck Mounted

tel: 01934 744466
email: sales@vado.com
www.vado.com

WHERE INSPIRATION FLOWS
TAPS | SHOWERS | FURNITURE



SPECIFICATION SHEET

COLLECTION: ZOO

PRODUCT CODE: ZOO-100M/CC-C/P

WASTE

With Universal Basin Waste

FLOW RATE AT 3.0 BAR FLOW PRESSURE

7 l/min

RECOMMENDED FLOW REGULATOR

FR-FLEXI/5-PLA (2 are required)

WITH ECOTURN COLD START TECHNOLOGY

No

WITH WATER FLOW STRAIGHTENER

No

WITH WATER FLOW AERATOR

Yes

CONNECTIONS / FITTINGS

2 x 1/2" 300mm flexipipe connections

DECK HOLE DRILL DIAMETER

35mm

SPARE PARTS

ceramic cartridge C-005-N25

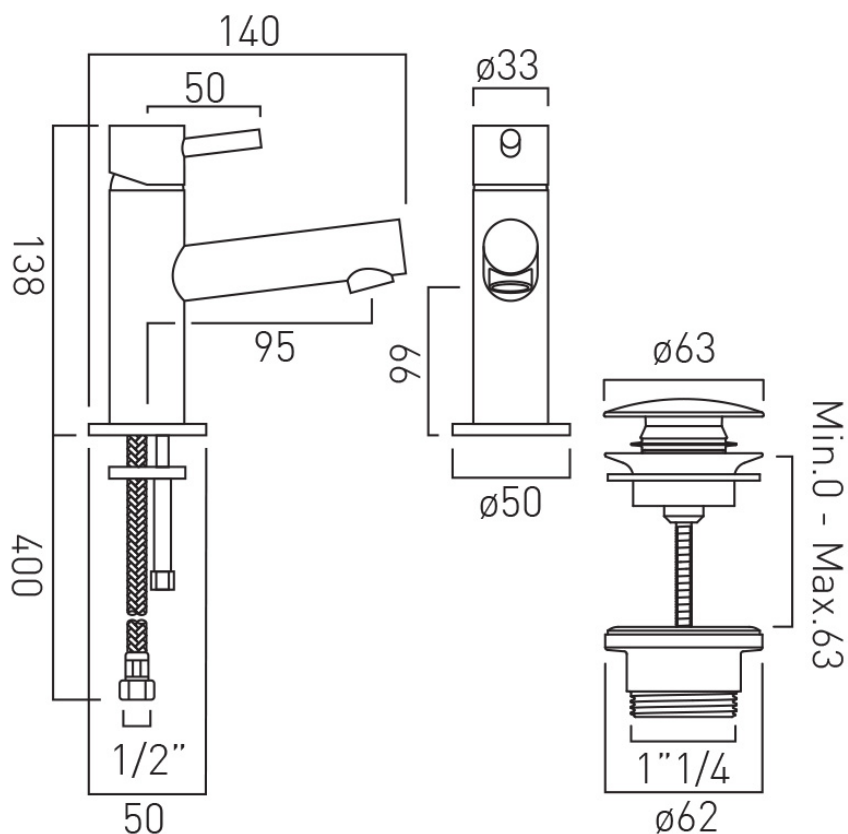
STYLE

Round

TECHNICAL DRAWING

COLLECTION: ZOO

PRODUCT CODE: ZOO-100M/CC-C/P



tel: 01934 744466
email: sales@vado.com
www.vado.com

WHERE INSPIRATION FLOWS
TAPS | SHOWERS | FURNITURE

