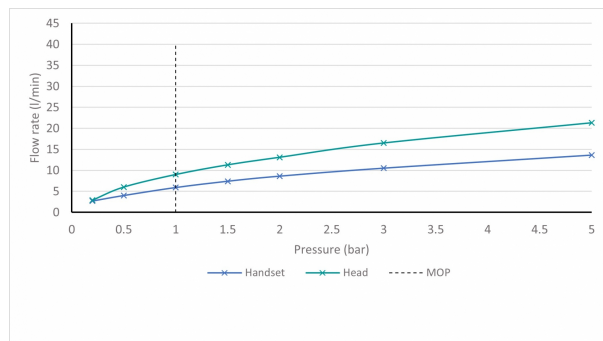


# SPECIFICATION SHEET

COLLECTION: SHOWERING SOLUTIONS  
PRODUCT CODE: IND-149RRK-RO-BLK



The flow rate displayed is calculated using ideal system conditions. This result should only be taken as an indication as the flow rate may vary depending on the specific in-situ configuration.

## SHOWER TYPE

Shower Column

## WITH SHOWER KIT

No

## WITH AIR-INJECTION TECHNOLOGY

Yes

## VALVE TYPE

Exposed

## WITH CROSS-SPRAY TECHNOLOGY

No

## WITH EASY-FIT BRACKETS

Yes

## ADJUSTABLE FIXING FOR EASY RETRO FIT

No

## WITH INTEGRATED DIVERTER

Yes

## SHOWER HEAD SIZE

250mm round shower head

tel: 01934 744466  
email: sales@vado.com  
www.vado.com

WHERE INSPIRATION FLOWS  
TAPS | SHOWERS | ACCESSORIES



# SPECIFICATION SHEET

COLLECTION: SHOWERING SOLUTIONS  
PRODUCT CODE: IND-149RRK-RO-BLK

## WITH THERMOSTATIC TECHNOLOGY

Yes

## WITH WATER FLOW STRAIGHTENER

No

## INSTALLATION TOLERANCES

410mm height adjustment tolerance: min 825mm – max 1235mm 21mm depth adjustment tolerance: min 69mm – max 90mm

## CONNECTIONS / FITTINGS

Offset connectors included

## SPARE PARTS

flow cartridge C-801-33/2P thermostatic cartridge V-704-34S

## MOUNTING

Wall Mounted

## PLUMBING SYSTEM SUITABILITY

Pumped System, Combination Boiler, Pressurised System

## COLLECTION NAME

Showering Solutions

## FINISH

Brushed Black

## MINIMUM OPERATING PRESSURE

1.0 Bar MP

## MAXIMUM OPERATING PRESSURE

5.0 Bar HP

## GUARANTEE

15 Year Guarantee

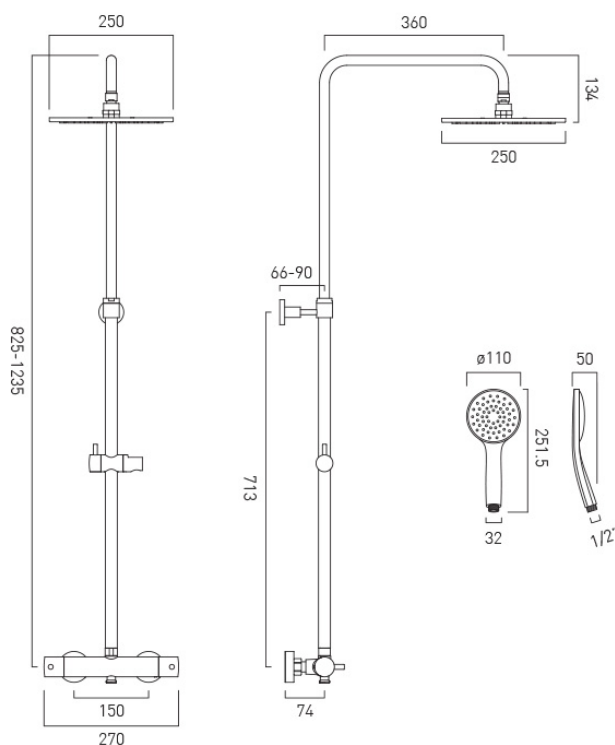
tel: 01934 744466  
email: sales@vado.com  
www.vado.com

WHERE INSPIRATION FLOWS  
TAPS | SHOWERS | ACCESSORIES



# TECHNICAL DRAWING

COLLECTION: SHOWERING SOLUTIONS  
PRODUCT CODE: IND-149RRK-RO-BLK



tel: 01934 744466  
email: sales@vado.com  
www.vado.com

WHERE INSPIRATION FLOWS  
TAPS | SHOWERS | ACCESSORIES

