

SPECIFICATION SHEET

COLLECTION: OMIKA NOIR
PRODUCT CODE: IND-81389/SQ-PB



TAP TYPE

Bath Filler

PLUMBING SYSTEM SUITABILITY

Pumped System, Combination Boiler, Pressurised System

WITH WATER FLOW STRAIGHTENER

No

INSTALLATION TOLERANCES

min-max overflow bath thickness 1mm-18mm

CONNECTIONS / FITTINGS

2 x 1/2" inlets (one is blanked off) 1.1/2" x 10mm threaded outlet connection

MINIMUM OPERATING PRESSURE

1.0 Bar MP

MAXIMUM OPERATING PRESSURE

5.0 Bar HP

FINISH

Polished Black

COLLECTION NAME

Omika Noir

tel: 01934 744466
email: sales@vado.com
www.vado.com

WHERE INSPIRATION FLOWS
TAPS | SHOWERS | FURNITURE



SPECIFICATION SHEET

COLLECTION: OMIKA NOIR
PRODUCT CODE: IND-81389/SQ-PB

GUARANTEE
15 Year Guarantee

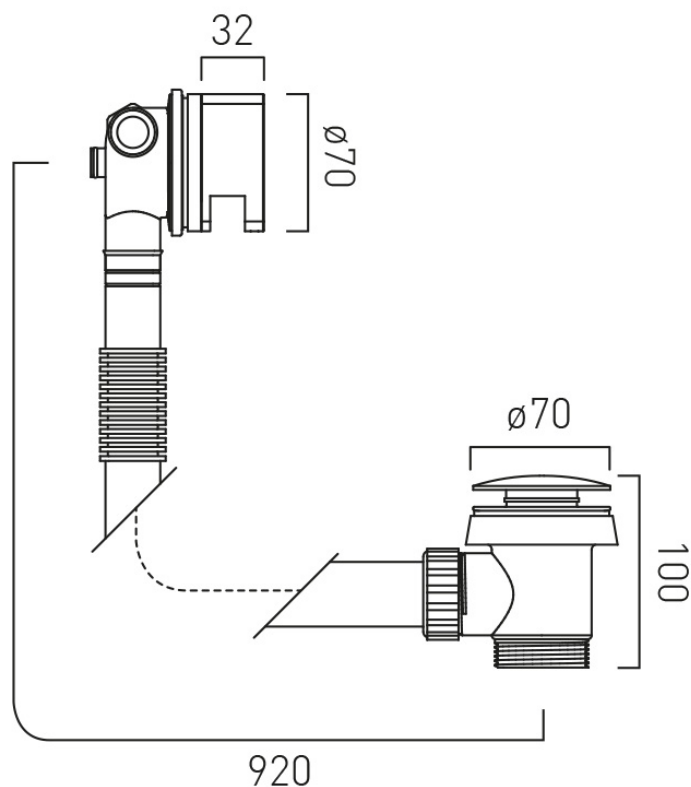
tel: 01934 744466
email: sales@vado.com
www.vado.com

WHERE INSPIRATION FLOWS
TAPS | SHOWERS | FURNITURE



TECHNICAL DRAWING

COLLECTION: OMIKA NOIR
PRODUCT CODE: IND-81389/SQ-PB



tel: 01934 744466
email: sales@vado.com
www.vado.com

WHERE INSPIRATION FLOWS
TAPS | SHOWERS | FURNITURE

