

SPECIFICATION SHEET

COLLECTION: OMIKA NOIR
PRODUCT CODE: IND-461/R0-PB



TAP TYPE

Wastes and Fittings

COLLECTION NAME

Omika Noir

FINISH

Polished Black

GUARANTEE

15 Year Guarantee

PLUMBING SYSTEM SUITABILITY

Pressurised System

CONNECTIONS / FITTINGS

35mm x 300mm pipe connections

INSTALLATION TOLERANCES

min-max vertical adjustment 40-150mm to outlet centre

tel: 01934 744466
email: sales@vado.com
www.vado.com

WHERE INSPIRATION FLOWS
TAPS | SHOWERS | ACCESSORIES



SPECIFICATION SHEET

COLLECTION: OMIKA NOIR
PRODUCT CODE: IND-461/RO-PB

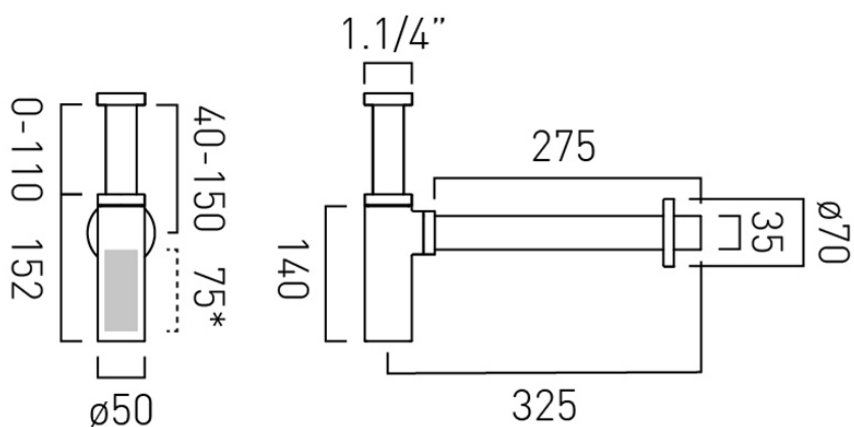
tel: 01934 744466
email: sales@vado.com
www.vado.com

WHERE INSPIRATION FLOWS
TAPS | SHOWERS | ACCESSORIES



TECHNICAL DRAWING

COLLECTION: OMIKA NOIR
PRODUCT CODE: IND-461/R0-PB



*75mm water trap seal