

SPECIFICATION SHEET

COLLECTION: METIZ
PRODUCT CODE: AX-MET-137-CP



TAP TYPE

Bath Filler

HANDLES

2 Handle

WITH WATER FLOW STRAIGHTENER

Yes

INSTALLATION TOLERANCES

min-max deck mount 28-30mm

CONNECTIONS / FITTINGS

2 x 3/4" male threaded connections

SPARE PARTS

Cold Ceramic cartridge H-302-RTC Hot Ceramic cartridge H-302-LTC

DECK HOLE DRILL DIAMETER

28-30mm

HOLES

2 Hole

MOUNTING

Deck Mounted

tel: 01934 744466
email: sales@vado.com
www.vado.com

WHERE INSPIRATION FLOWS
TAPS | SHOWERS | ACCESSORIES



SPECIFICATION SHEET

COLLECTION: METIZ
PRODUCT CODE: AX-MET-137-CP

PLUMBING SYSTEM SUITABILITY

Gravity System, Pumped System, Combination Boiler, Pressurised System

COLLECTION NAME

Metiz

FINISH

Chrome

MAXIMUM OPERATING PRESSURE

5.0 Bar HP

MINIMUM OPERATING PRESSURE

0.2 Bar LP

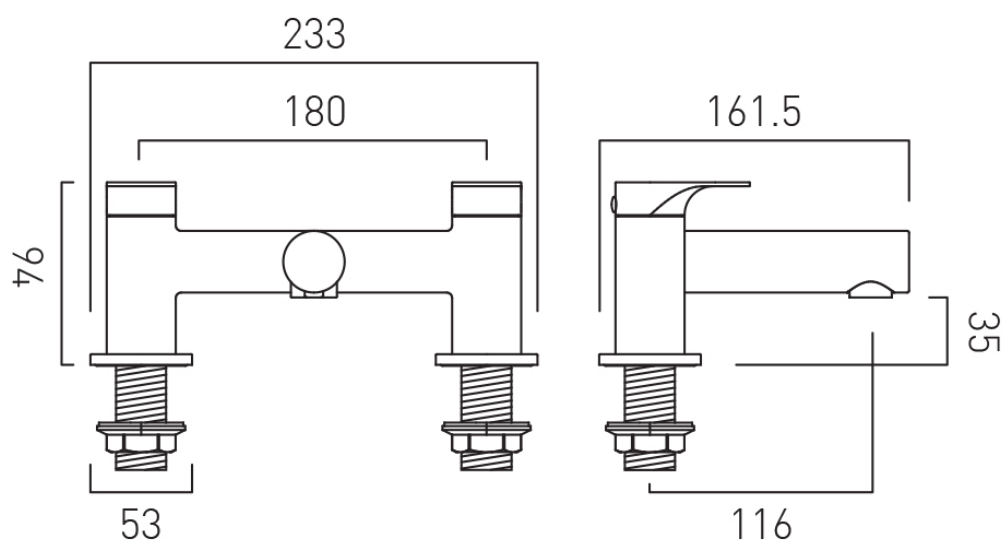
GUARANTEE

10 Year Guarantee



TECHNICAL DRAWING

COLLECTION: METIZ
PRODUCT CODE: AX-MET-137-CP



tel: 01934 744466
email: sales@vado.com
www.vado.com

WHERE INSPIRATION FLOWS
TAPS | SHOWERS | ACCESSORIES

