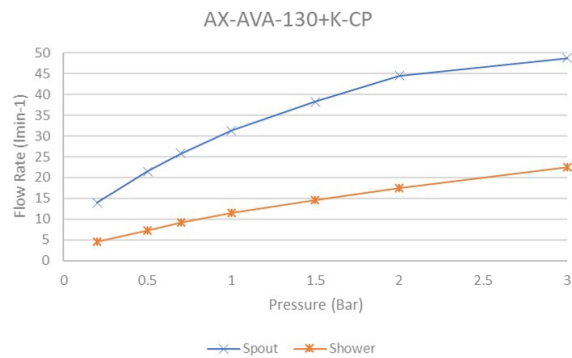


# SPECIFICATION SHEET

COLLECTION: AVA

PRODUCT CODE: AX-AVA-130+K-CP



The flow rate displayed is calculated using ideal system conditions. This result should only be taken as an indication as the flow rate may vary depending on the specific in-situ configuration.

## TAP TYPE

Bath Shower Mixer

## WITH SHOWER KIT

Yes

## WITH EASY-FIT BRACKETS

No

## WITH INTEGRATED DIVERTER

No

## WITH THERMOSTATIC TECHNOLOGY

No

## FOR USE WITH BATH FILLER WASTE AND OVERFLOW

No

## WITH BATH SPOUT

No

## WITH AIR-INJECTION TECHNOLOGY

No

## WITH WATER FLOW STRAIGHTENER

Yes

tel: 01934 744466  
email: [sales@vado.com](mailto:sales@vado.com)  
[www.vado.com](http://www.vado.com)

WHERE INSPIRATION FLOWS  
TAPS | SHOWERS | ACCESSORIES



# SPECIFICATION SHEET

COLLECTION: AVA

PRODUCT CODE: AX-AVA-130+K-CP

## WITH WATER FLOW AERATOR

No

## INSTALLATION TOLERANCES

min-max deck mount 28-30mm

## CONNECTIONS / FITTINGS

2 x 3/4" male threaded connections

## HANDLES

2 Handle

## SPARE PARTS

Cold Ceramic cartridge ION-VALVE/CD/CL-3/4 Hot Ceramic cartridge ION-VALVE/CD/HT-3/4

## DECK HOLE DRILL DIAMETER

28-30mm

## HOLES

2 Hole

## MOUNTING

Deck Mounted

## PLUMBING SYSTEM SUITABILITY

Gravity System, Pumped System, Combination Boiler, Pressurised System

## COLLECTION NAME

Ava

## FINISH

Chrome

## MINIMUM OPERATING PRESSURE

0.2 Bar LP

# SPECIFICATION SHEET

COLLECTION: AVA

PRODUCT CODE: AX-AVA-130+K-CP

MAXIMUM OPERATING PRESSURE

5.0 Bar HP

GUARANTEE

10 Year Guarantee

tel: 01934 744466  
email: [sales@vado.com](mailto:sales@vado.com)  
[www.vado.com](http://www.vado.com)

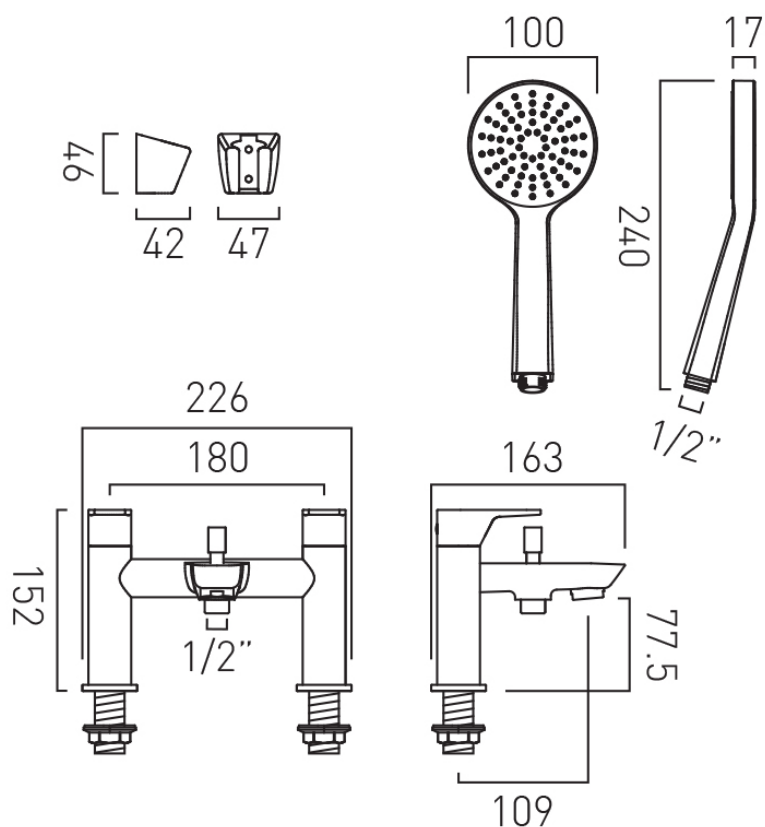
WHERE INSPIRATION FLOWS  
TAPS | SHOWERS | ACCESSORIES



# TECHNICAL DRAWING

COLLECTION: AVA

PRODUCT CODE: AX-AVA-130+K-CP



tel: 01934 744466  
email: sales@vado.com  
www.vado.com

WHERE INSPIRATION FLOWS  
TAPS | SHOWERS | ACCESSORIES

