

SPECIFICATION SHEET

COLLECTION: IRLO

PRODUCT CODE: AX-IR0-137-CP



TAP TYPE

Bath Filler

HANDLES

2 Handle

WITH WATER FLOW STRAIGHTENER

Yes

CONNECTIONS / FITTINGS

2 x 3/4" male threaded connections

SPARE PARTS

Cold Ceramic cartridge C-302-RTC Hot Ceramic cartridge C-302-LTC

DECK HOLE DRILL DIAMETER

28-30mm

HOLES

2 Hole

MOUNTING

Deck Mounted

PLUMBING SYSTEM SUITABILITY

Gravity System, Pumped System, Combination Boiler, Pressurised System

tel: 01934 744466
email: sales@vado.com
www.vado.com

WHERE INSPIRATION FLOWS
TAPS | SHOWERS | FURNITURE



SPECIFICATION SHEET

COLLECTION: IRLO
PRODUCT CODE: AX-IR0-137-CP

COLLECTION NAME

Irlo

FINISH

Chrome

MAXIMUM OPERATING PRESSURE

5.0 Bar HP

MINIMUM OPERATING PRESSURE

0.2 Bar LP

GUARANTEE

10 Year Guarantee

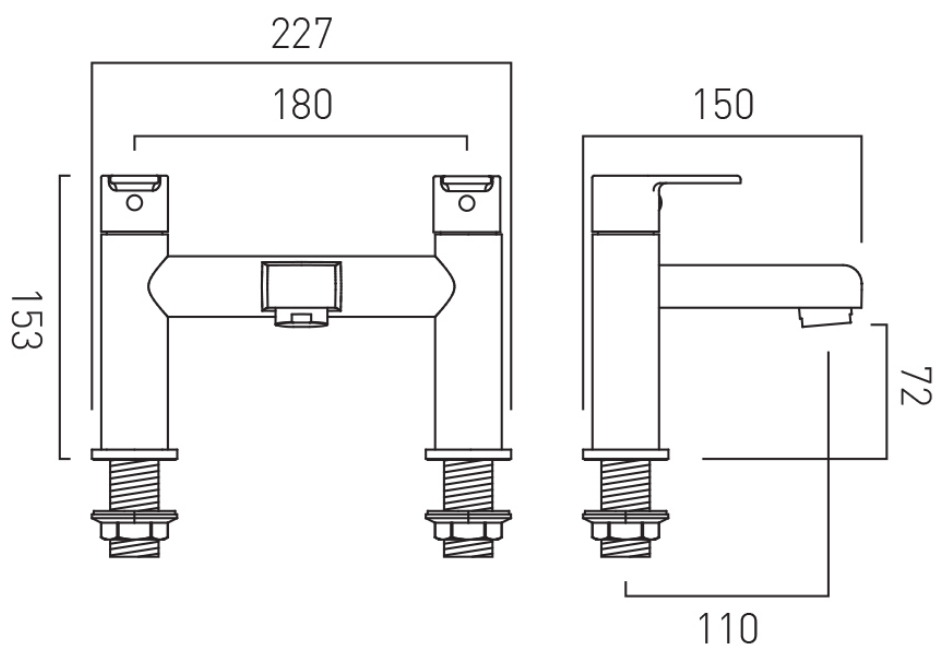
tel: 01934 744466
email: sales@vado.com
www.vado.com

WHERE INSPIRATION FLOWS
TAPS | SHOWERS | FURNITURE



TECHNICAL DRAWING

COLLECTION: IRL0
PRODUCT CODE: AX-IRO-137-CP



tel: 01934 744466
email: sales@vado.com
www.vado.com

WHERE INSPIRATION FLOWS
TAPS | SHOWERS | FURNITURE

