

# SPECIFICATION SHEET

COLLECTION: VICTORIANA

PRODUCT CODE: AX-VIC-133/CD+K-CP



**TAP TYPE**

Bath Shower Mixer

**FOR USE WITH BATH FILLER WASTE AND OVERFLOW**

No

**WITH SHOWER KIT**

Yes

**WITH BATH SPOUT**

No

**WITH EASY-FIT BRACKETS**

No

**WITH AIR-INJECTION TECHNOLOGY**

No

**WITH INTEGRATED DIVERTER**

No

**WITH WATER FLOW STRAIGHTENER**

No

**WITH THERMOSTATIC TECHNOLOGY**

No

tel: 01934 744466  
email: [sales@vado.com](mailto:sales@vado.com)  
[www.vado.com](http://www.vado.com)

WHERE INSPIRATION FLOWS  
TAPS | SHOWERS | ACCESSORIES



# SPECIFICATION SHEET

COLLECTION: VICTORIANA  
PRODUCT CODE: AX-VIC-133/CD+K-CP

## WITH WATER FLOW AERATOR

No

## HANDLES

2 Handle

## SPARE PARTS

Cold Ceramic cartridge C-201-RTC Hot Ceramic cartridge C-201-LTC

## HOLES

2 Hole

## MOUNTING

Floor Mounted

## PLUMBING SYSTEM SUITABILITY

Gravity System, Pumped System, Combination Boiler, Pressurised System

## COLLECTION NAME

Victoriana

## FINISH

Chrome

## RECOMMENDED FLOW REGULATOR

FR-SHOWER/9-C/P

## MINIMUM OPERATING PRESSURE

0.2 Bar LP

## MAXIMUM OPERATING PRESSURE

5.0 Bar HP

## GUARANTEE

10 Year Guarantee

tel: 01934 744466  
email: [sales@vado.com](mailto:sales@vado.com)  
[www.vado.com](http://www.vado.com)

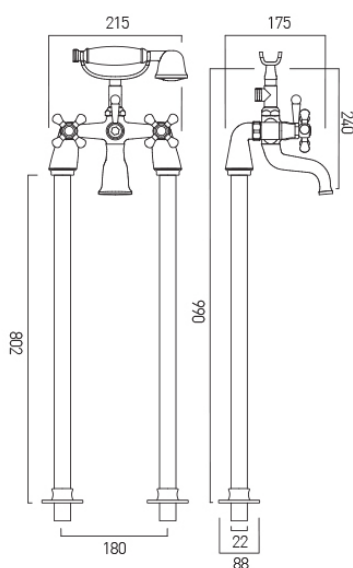
WHERE INSPIRATION FLOWS  
TAPS | SHOWERS | ACCESSORIES



# TECHNICAL DRAWING

COLLECTION: VICTORIANA

PRODUCT CODE: AX-VIC-133/CD+K-CP



tel: 01934 744466  
email: sales@vado.com  
www.vado.com

WHERE INSPIRATION FLOWS  
TAPS | SHOWERS | ACCESSORIES

