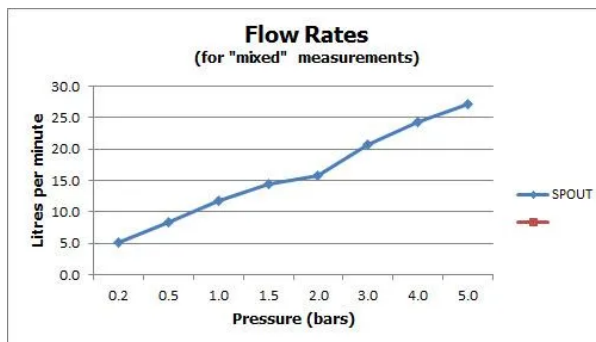


# SPECIFICATION SHEET

COLLECTION: VECTA

PRODUCT CODE: AX-VEC-106/CD-CP



The flow rate displayed is calculated using ideal system conditions. This result should only be taken as an indication as the flow rate may vary depending on the specific in-situ configuration.

## TAP TYPE

Pillar Tap

## PLUMBING SYSTEM SUITABILITY

Gravity System, Pumped System, Combination Boiler, Pressurised System

## MOUNTING

Deck Mounted

## HOLES

2 Hole

## DECK HOLE DRILL DIAMETER

22mm

## HANDLES

2 Handle

## WITH WATER FLOW STRAIGHTENER

Yes

## SPARE PARTS

C-201-RTC and LTC valves

## COLLECTION NAME

Vecta

tel: 01934 744466  
email: sales@vado.com  
www.vado.com

WHERE INSPIRATION FLOWS  
TAPS | SHOWERS | ACCESSORIES



# SPECIFICATION SHEET

COLLECTION: VECTA

PRODUCT CODE: AX-VEC-106/CD-CP

## FINISH

Chrome

## RECOMMENDED FLOW REGULATOR

FR-106/4-PLA (2 are required)

## MINIMUM OPERATING PRESSURE

0.2 Bar LP

## MAXIMUM OPERATING PRESSURE

5.0 Bar HP

## GUARANTEE

10 Year Guarantee

tel: 01934 744466  
email: [sales@vado.com](mailto:sales@vado.com)  
[www.vado.com](http://www.vado.com)

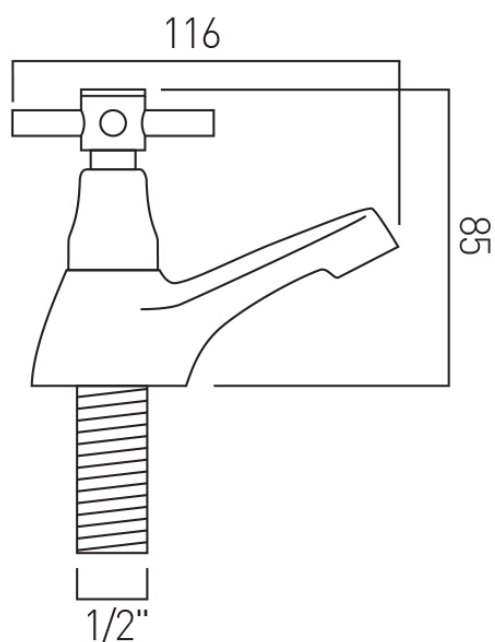
WHERE INSPIRATION FLOWS  
TAPS | SHOWERS | ACCESSORIES



# TECHNICAL DRAWING

COLLECTION: VECTA

PRODUCT CODE: AX-VEC-106/CD-CP



tel: 01934 744466  
email: sales@vado.com  
www.vado.com

WHERE INSPIRATION FLOWS  
TAPS | SHOWERS | ACCESSORIES

