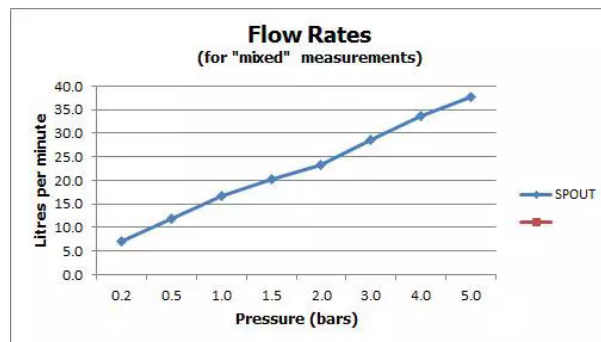


SPECIFICATION SHEET

COLLECTION: VECTA

PRODUCT CODE: AX-VEC-136/CD-CP



The flow rate displayed is calculated using ideal system conditions. This result should only be taken as an indication as the flow rate may vary depending on the specific in-situ configuration.

TAP TYPE

Pillar Tap

PLUMBING SYSTEM SUITABILITY

Gravity System, Pumped System, Combination Boiler, Pressurised System

MOUNTING

Deck Mounted

HOLES

2 Hole

DECK HOLE DRILL DIAMETER

27mm

HANDLES

2 Handle

WITH WATER FLOW STRAIGHTENER

Yes

COLLECTION NAME

Vecta

FINISH

Chrome

tel: 01934 744466
email: sales@vado.com
www.vado.com

WHERE INSPIRATION FLOWS
TAPS | SHOWERS | FURNITURE



SPECIFICATION SHEET

COLLECTION: VECTA

PRODUCT CODE: AX-VEC-136/CD-CP

MINIMUM OPERATING PRESSURE

0.2 Bar LP

MAXIMUM OPERATING PRESSURE

5.0 Bar HP

GUARANTEE

10 Year Guarantee

tel: 01934 744466
email: sales@vado.com
www.vado.com

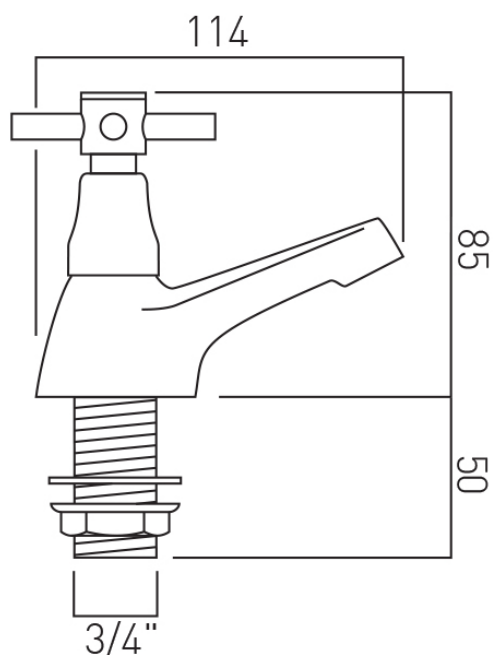
WHERE INSPIRATION FLOWS
TAPS | SHOWERS | FURNITURE



TECHNICAL DRAWING

COLLECTION: VECTA

PRODUCT CODE: AX-VEC-136/CD-CP



tel: 01934 744466
email: sales@vado.com
www.vado.com

WHERE INSPIRATION FLOWS
TAPS | SHOWERS | FURNITURE

