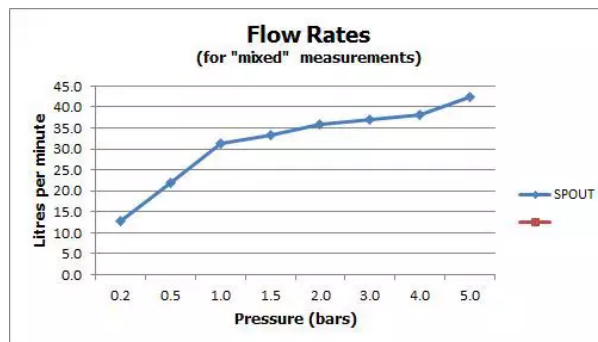
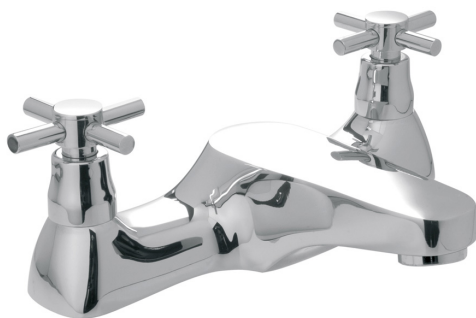


# SPECIFICATION SHEET

COLLECTION: VECTA

PRODUCT CODE: AX-VEC-137/CD-CP



The flow rate displayed is calculated using ideal system conditions. This result should only be taken as an indication as the flow rate may vary depending on the specific in-situ configuration.

## TAP TYPE

Bath Filler

## HANDLES

2 Handle

## WITH WATER FLOW STRAIGHTENER

Yes

## CONNECTIONS / FITTINGS

2 x 3/4" male threaded connections

## SPARE PARTS

Cold Ceramic cartridge C-201-RTC Hot Ceramic cartridge C-201-LTC Standard cartridge C-102-STD

## DECK HOLE DRILL DIAMETER

27mm

## HOLES

2 Hole

## MOUNTING

Deck Mounted

## PLUMBING SYSTEM SUITABILITY

Gravity System, Pumped System, Combination Boiler, Pressurised System

tel: 01934 744466  
email: sales@vado.com  
www.vado.com

WHERE INSPIRATION FLOWS  
TAPS | SHOWERS | ACCESSORIES



# SPECIFICATION SHEET

COLLECTION: VECTA

PRODUCT CODE: AX-VEC-137/CD-CP

COLLECTION NAME

Vecta

FINISH

Chrome

MAXIMUM OPERATING PRESSURE

5.0 Bar HP

MINIMUM OPERATING PRESSURE

0.2 Bar LP

GUARANTEE

10 Year Guarantee

tel: 01934 744466  
email: [sales@vado.com](mailto:sales@vado.com)  
[www.vado.com](http://www.vado.com)

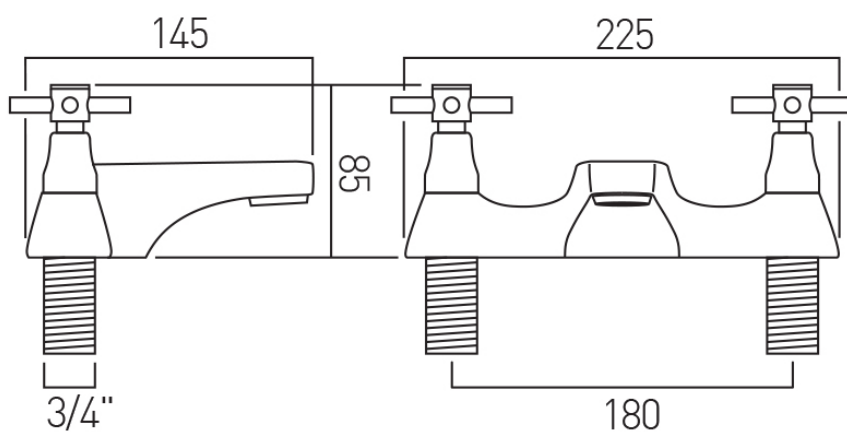
WHERE INSPIRATION FLOWS  
TAPS | SHOWERS | ACCESSORIES



# TECHNICAL DRAWING

COLLECTION: VECTA

PRODUCT CODE: AX-VEC-137/CD-CP



tel: 01934 744466  
email: sales@vado.com  
www.vado.com

WHERE INSPIRATION FLOWS  
TAPS | SHOWERS | ACCESSORIES

