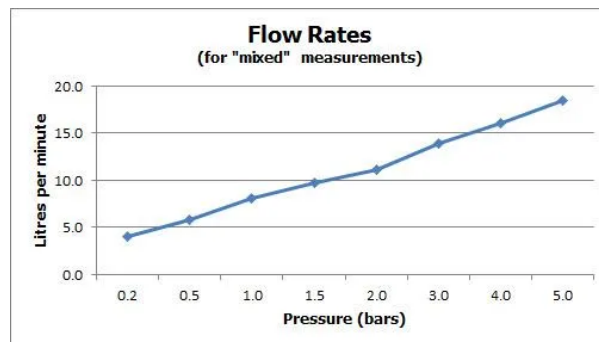


SPECIFICATION SHEET

COLLECTION: MATRIX

PRODUCT CODE: AX-MAT-100/SB-CP



The flow rate displayed is calculated using ideal system conditions. This result should only be taken as an indication as the flow rate may vary depending on the specific in-situ configuration.

TAP TYPE

Basin Mixer

COLLECTION NAME

Matrix

FINISH

Chrome

RECOMMENDED FLOW REGULATOR

FR-100/5-PLA

MINIMUM OPERATING PRESSURE

0.2 Bar LP

MAXIMUM OPERATING PRESSURE

5.0 Bar HP

GUARANTEE

10 Year Guarantee

HANDLES

Single Lever

WITH ECOTURN COLD START TECHNOLOGY

No

tel: 01934 744466
email: sales@vado.com
www.vado.com

WHERE INSPIRATION FLOWS
TAPS | SHOWERS | FURNITURE



SPECIFICATION SHEET

COLLECTION: MATRIX

PRODUCT CODE: AX-MAT-100/SB-CP

WITH WATER FLOW STRAIGHTENER

No

WITH WATER FLOW AERATOR

Yes

CONNECTIONS / FITTINGS

2 x 1/2" nut x 400mm flexipipe connections

SPARE PARTS

Ceramic Cartridge CAR-K40A/MAT

DECK HOLE DRILL DIAMETER

35mm

WASTE

with Universal Basin Waste

MOUNTING

Deck Mounted

PLUMBING SYSTEM SUITABILITY

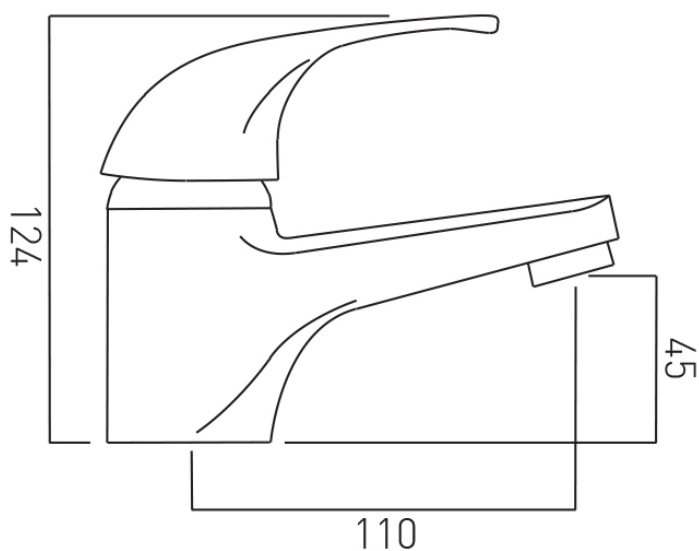
Gravity System, Pumped System, Combination Boiler, Pressurised System



TECHNICAL DRAWING

COLLECTION: MATRIX

PRODUCT CODE: AX-MAT-100/SB-CP



tel: 01934 744466
email: sales@vado.com
www.vado.com

WHERE INSPIRATION FLOWS
TAPS | SHOWERS | FURNITURE

