

SPECIFICATION SHEET

COLLECTION: MATRIX
PRODUCT CODE: AX-MAT-110-CP



TAP TYPE

Bidet Mixer

PLUMBING SYSTEM SUITABILITY

Pumped System, Combination Boiler, Pressurised System

MOUNTING

Deck Mounted

WASTE

with Pop-up Waste

DECK HOLE DRILL DIAMETER

35mm

SPARE PARTS

Ceramic Cartridge CAR-K40A/MAT

HANDLES

Single Lever

CONNECTIONS / FITTINGS

2 x 1/2" nut x 340mm flexipipe connections

WITH WATER FLOW AERATOR

Yes

tel: 01934 744466
email: sales@vado.com
www.vado.com

WHERE INSPIRATION FLOWS
TAPS | SHOWERS | FURNITURE



SPECIFICATION SHEET

COLLECTION: MATRIX
PRODUCT CODE: AX-MAT-110-CP

COLLECTION NAME

Matrix

FINISH

Chrome

RECOMMENDED FLOW REGULATOR

FR-100/5-PLA

MINIMUM OPERATING PRESSURE

1.0 Bar MP

MAXIMUM OPERATING PRESSURE

5.0 Bar HP

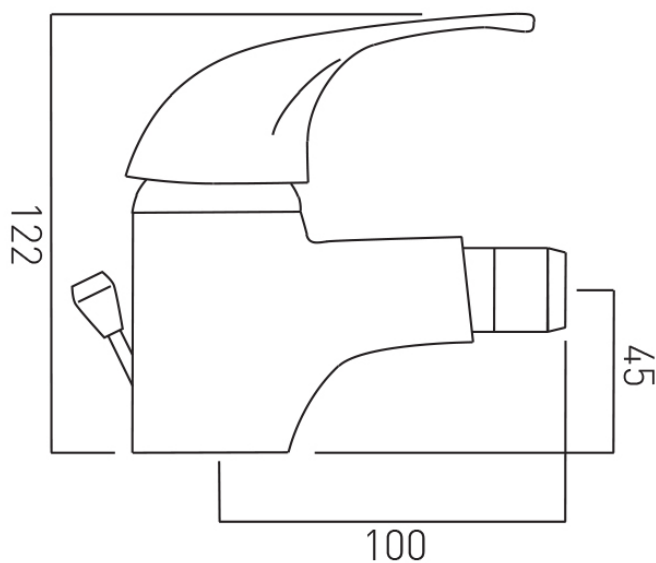
GUARANTEE

10 Year Guarantee



TECHNICAL DRAWING

COLLECTION: MATRIX
PRODUCT CODE: AX-MAT-110-CP



tel: 01934 744466
email: sales@vado.com
www.vado.com

WHERE INSPIRATION FLOWS
TAPS | SHOWERS | FURNITURE

